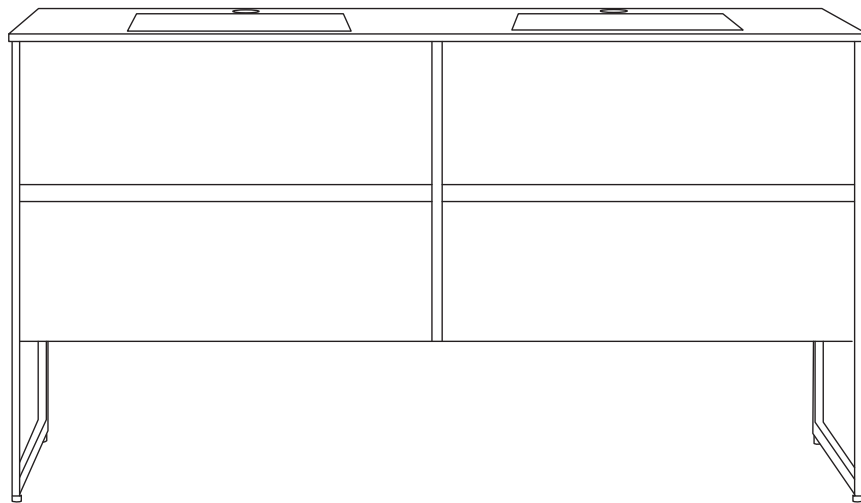


TITÄ



SINK BASE
OSLO7219

VANITY CABINET + VANITY TOP

VANITY SET:OSLO7219

INSTALLATION INSTRUCTIONS

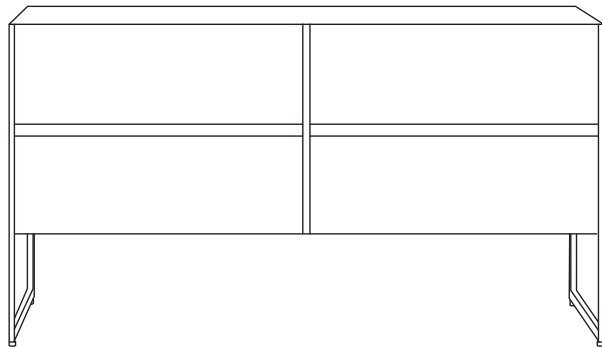


PRODUCT PACKAGE COMPONENTS/TOOLS REQUIRED

VANITY COMBINATION
MAIN COMPONENTS

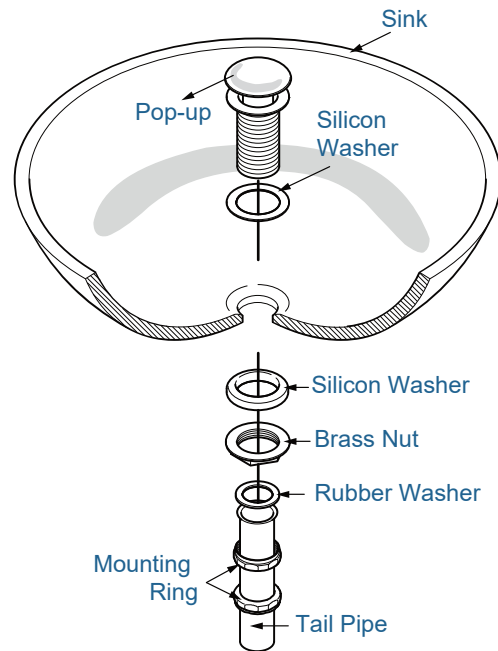


Basin Vanity **X 1**



Vanity Base Cabinet **X 1**

P-TRAP AND POP AND POP-UP
INSTALLATION DIAGRAM



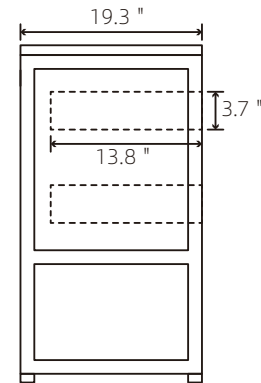
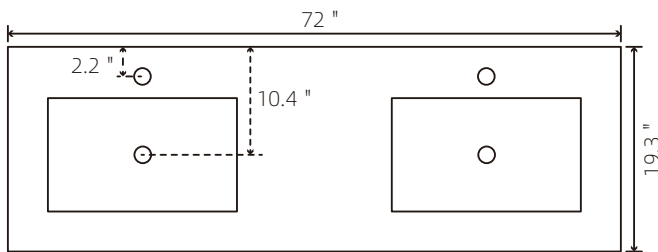
TOOLS REQUIRED FOR INSTALLATION
(NOT INCLUDED)

- | | | |
|-----------------------|--------------|-------------------------------|
| | | |
| Safety Glass | Tape Measure | Pencil/Marker |
| | | |
| Silicone | Caulk Gun | Level |
| | | |
| Soft Cloth or Blanket | Pliers | Electric Drill with DrillBits |
| | | |
| Philips Screwdriver | Stud Finder | Hammer |

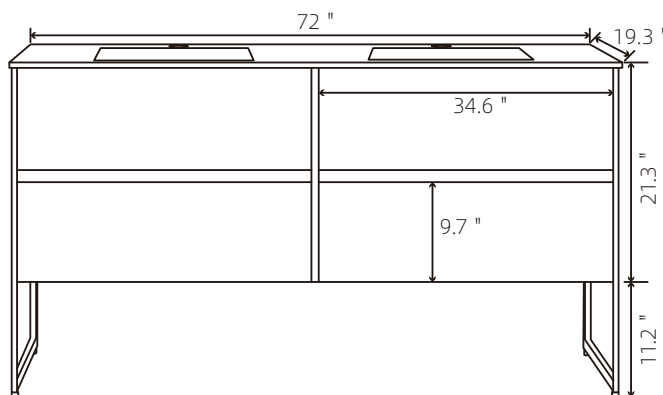
Other tools may be required



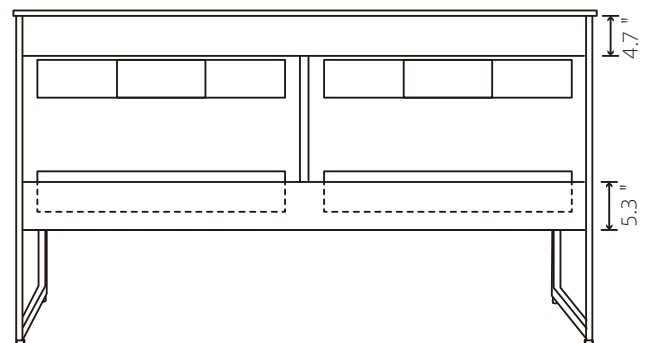
DIMENSIONS & SPECIFICATIONS



Side View



Front View



Back View

ATTENTION! Due to manufacturing process any dimensions may have a tolerance up to 3/8". All sizes are for reference only. It is highly recommended to pull all dimensions of actual model for installation and measuring purposes.

ATTENTION! If two or more vanity cabinets are installed next to each other there will be a visible seam between vanity tops and between vanity cabinets or between drawer base cabinets.

INSTALLATION STEPS

VANITY CABINET ASSEMBLY

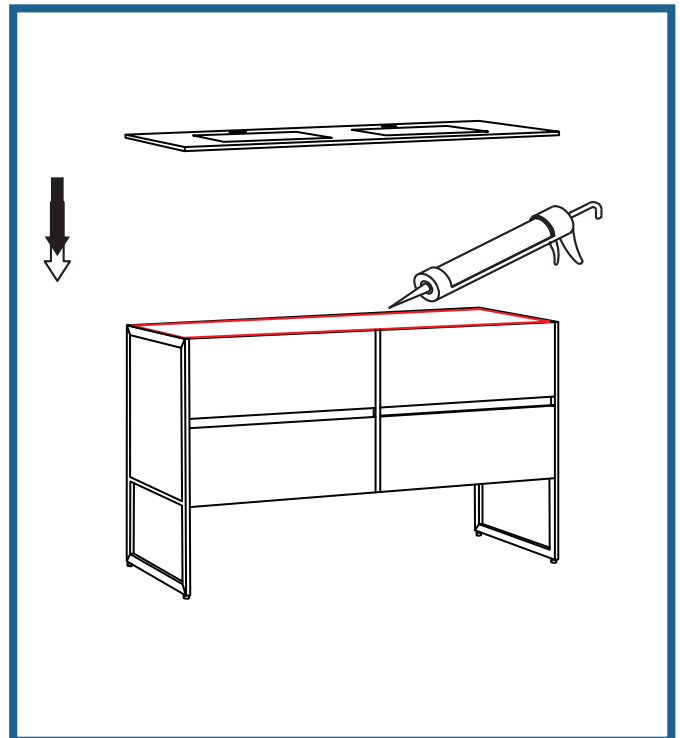
Prior to installation of the glass vanity top you must apply a silicone layer by a perimeter of the vanity base cabinet and carefully lay down the vanity top on top of the vanity cabinet.

See Figure 1

Note (single vanity sink cabinet installation): Vanity top is slightly wider than the actual cabinet. Make sure that outstanding edges are equal at left and right sides.

Apply a silicone layer on the back side of the vanity top that will be adjacent to the wall.

Allow the silicone dry for 48 hours prior to the first use of the vanity cabinet.



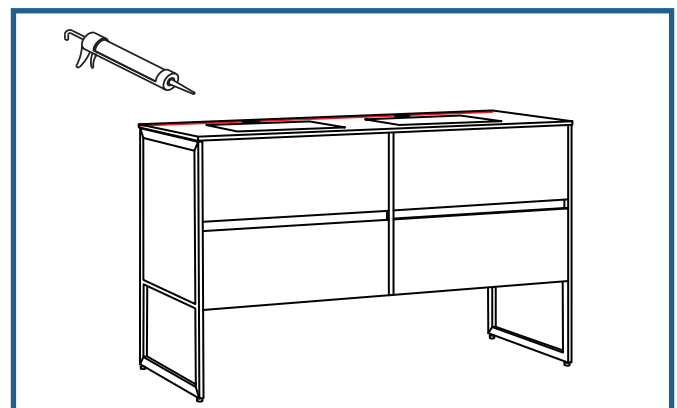
See Figure 1

INSTALLATION OF DRAWER BASE WITH SINK BASE CABINET

If drawer base is to be installed next to sink base you must apply a silicone layer to the countertop side adjacent to the sink base cabinet and the wall

Note: Allow the silicone dry for 48 hours prior to the first use of the vanity cabinet.

See Figure 2



See Figure 2