

# Towel Rail Installation

- Read the instruction sheet carefully before installation.
- Installation should be completed by professional person.
- Please dispose the package properly.

## tools required



Screwdriver



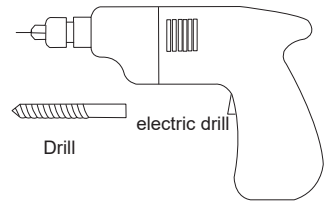
Spirit Level



Tape Measure



Gloves



Drill

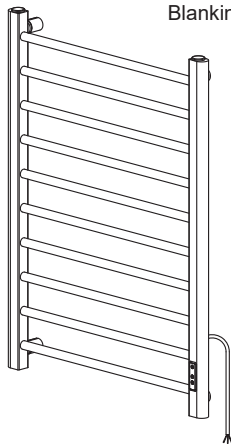


Pencil



Rubber Hammer

Blanking Plug



Blanking Plug

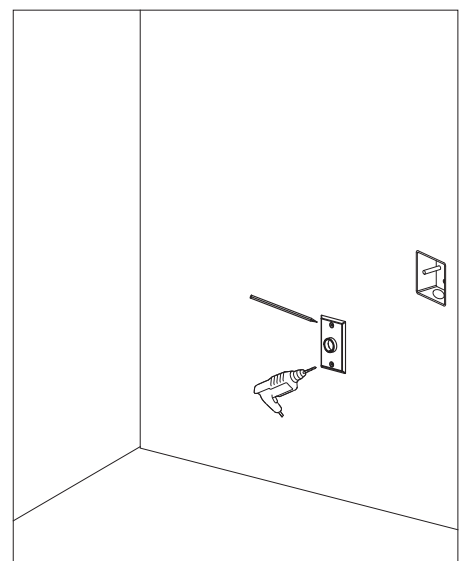
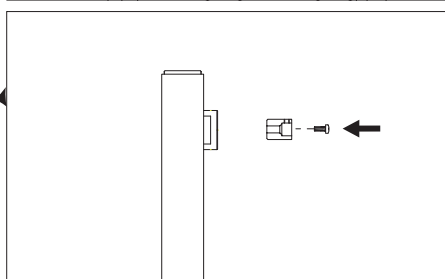
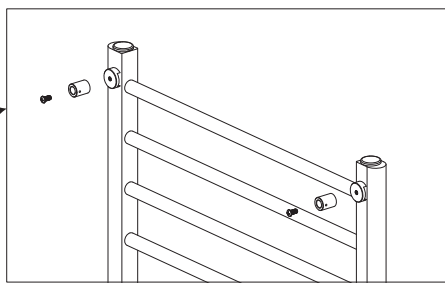
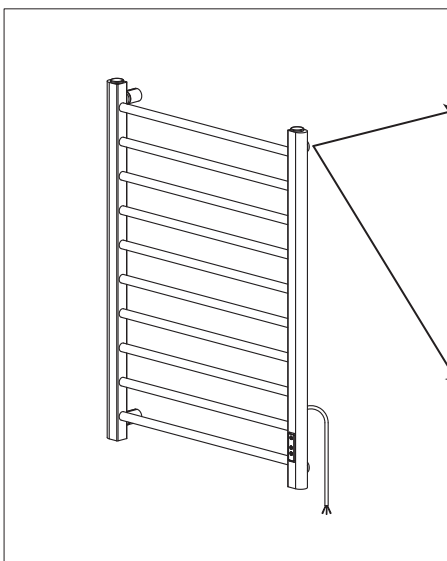


Decorative Cover  
x1



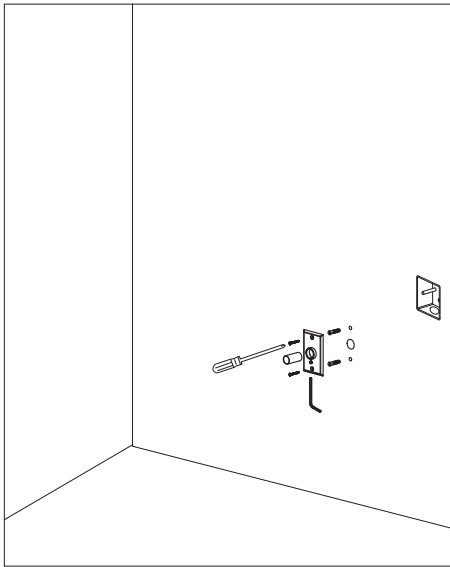
Decorative Tube  
x1

	Masonry Screw (St4*30)	x2
	Anchor (Φ8*36.5)	x2
	Washer	x4
	Masonry Wall Plug (St4.8*60)	x4
	Expansion Pipe (Φ8*60)	x4
	Wall Bracket Core (Φ20*25)	x4
	Wall Bracket (Φ28*34)	x4
	(ST3.8*12)	x4
	Cross Recessed Countersunk Head Screw (M6*12)	x4
	Cone Point Set Screw M5	x1
	Allen Wrench (S2.5x60)	x1

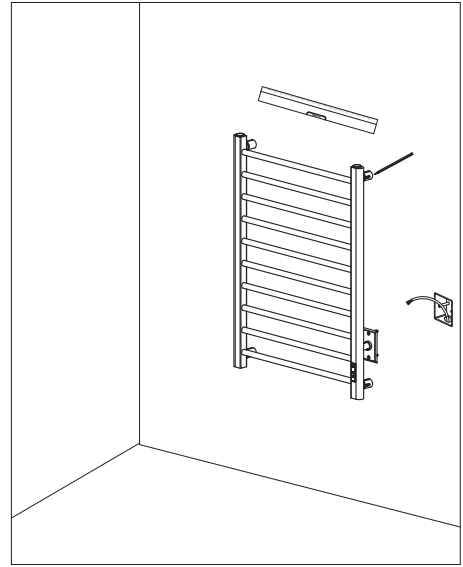


Step1. Fix the wall bracket cores to the back of the towel rail.

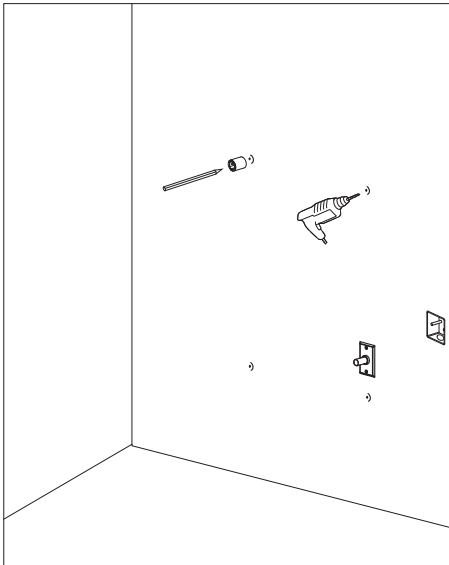
Step2. Place the Decorative Cover on the embedded pipe, mark the two center points with a pencil, and then drill holes at the marked positions with an 8mm drill bit.



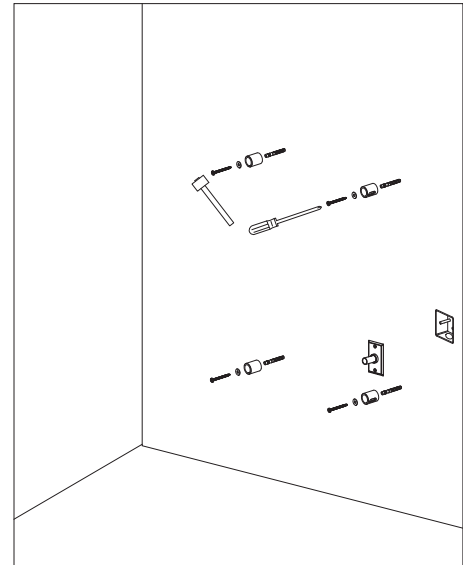
Step3. Hammer the wall anchor into the hole, get the masonry screw through the decorative cover with a screwdriver, then fix it to the anchor. Fix the decorative tube to the decorative cover with a Allen Wrench Cone Point Set Screw.



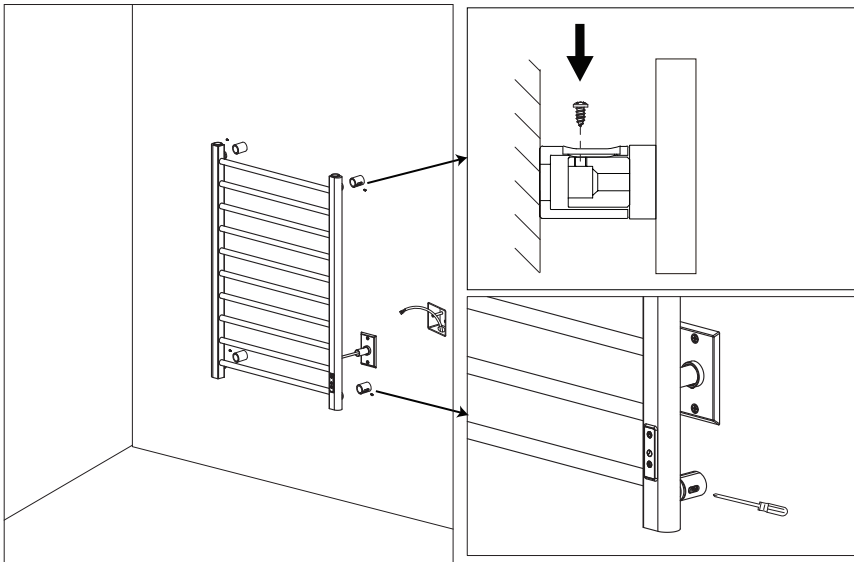
Step4. Get the power line through the decorative tube. Check for level with the spirit level. Mark the positions of 4 wall brackets and decorative cover plate with a pencil.



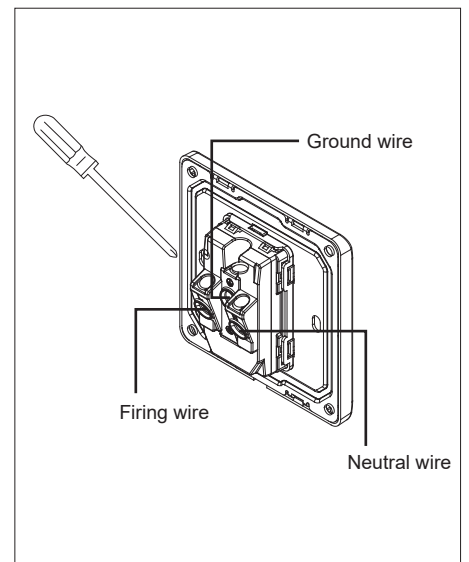
Step5. Take a wall bracket and mark the center point with a pencil in the marked position. Then use an 8mm drill to drill holes in the marked center position.



Step6. Hammer the Expansion Pipe into the holes, then get the Masonry Wall Plug through the Washer and wall bracket with a screwdriver and fix it to the Expansion Pipe.



Step7. Use the screwdriver to fix the retaining screws of the towel rail.



Step8. Connect the wiring with junction box.