

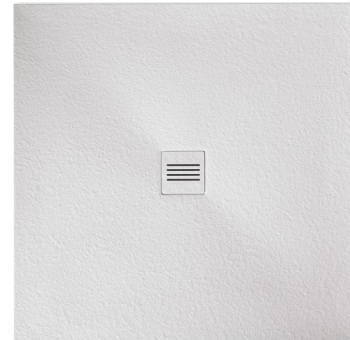
Specification Sheet

ERASTONE4040



FEATURES

- Colored mass
- Antibacterial material
- Slip resistance class 3
- Possibility of safe custom cutting
- Resistant to Thermal Shock
- Resistant to impact
- One piece construction, highly dimensional stability
- Repairable and regenerable surface
- Left/Right or center drain position (according dimensions)
- Installation: above floor or recessed flush with floor



MATERIAL

- Resin stone ACRYSTONE® core

SIZE

- Size: 40 x 40 in
- Weight: 105 lb

INCLUDED

- Shower Tray
- Drain Grid
- Tile flange
- Instruction manual

NOT INCLUDED

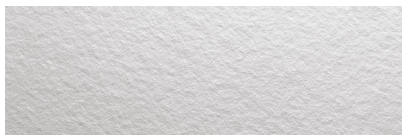
- Drain connection
- (iBMirror shower tray can accommodate most 2" standard drain)

CERTIFICATES

- CSA B45.5 / ANSI Z.124

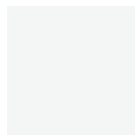


TEXTURE



STONE

COLORS



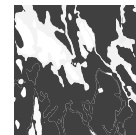
WHITE



CEMENT



GRAPHITE

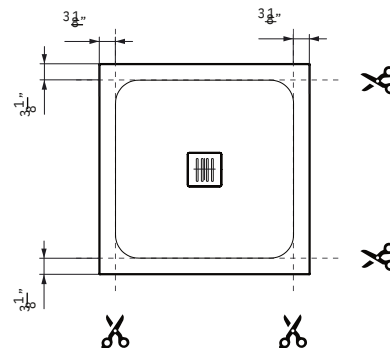
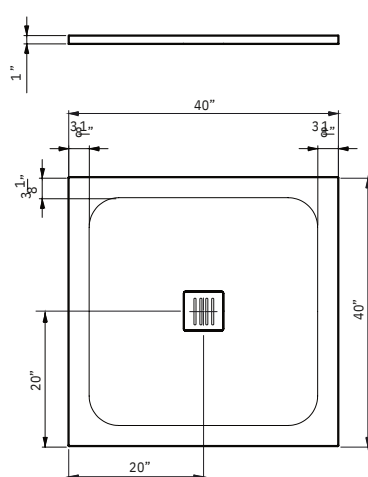


MARQUINA



CALACATTA
WHITE

TECHNICAL INFORMATION



APPROXIMATE MEASUREMENTS
The manufacturer accepts 1/4" variance