



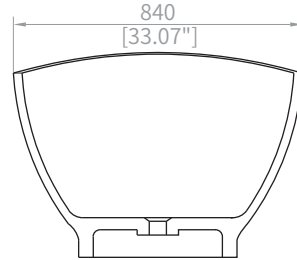
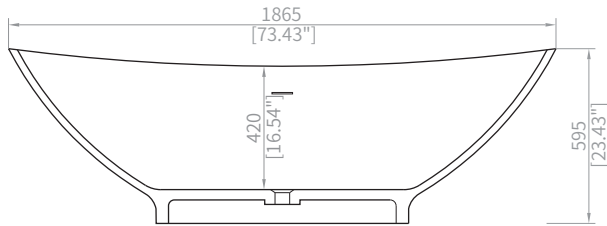
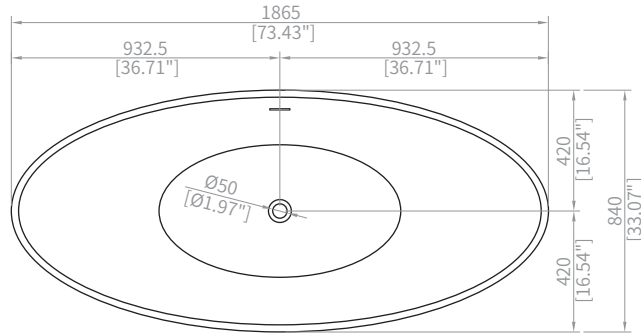
COZY IN PARIS

Zurich

BATHTUB MAINTENANCE AND INSTALLATION GUIDE

The pictures used in the user manual are for reference only, the final effect is subject to the actual product

Technical 2D Drawing



Bathtub daily maintenance and clean guidance.

1. How to remove the dirt and residue on surface.

Solution 1. Use soapy water to clean.

Solution 2. Used a scouring pad soaked with mixed water and detergent to wipe and clean.

2. How to remove the watermark on surface.

Solution. Frist use soft and dry cloth to wipe, then ventilate and keep dry on surface.

3. How to disinfect the bathtub.

Solution. Wipe the surface with diluted household bleach (50 water: 1 bleach) and then clean it up with clean water.

4. How to repair surface scratches.

Judge the severity of the scratch first, if it is a minor scratch, use a sandpaper in fine-mesh number (400 grits) to polish first, if still no works, please try use the sanpaper in next mesh number (600 grits) to polish again, then from high grits to low grits to polish, until the scratches disappear.

Kindly noted:

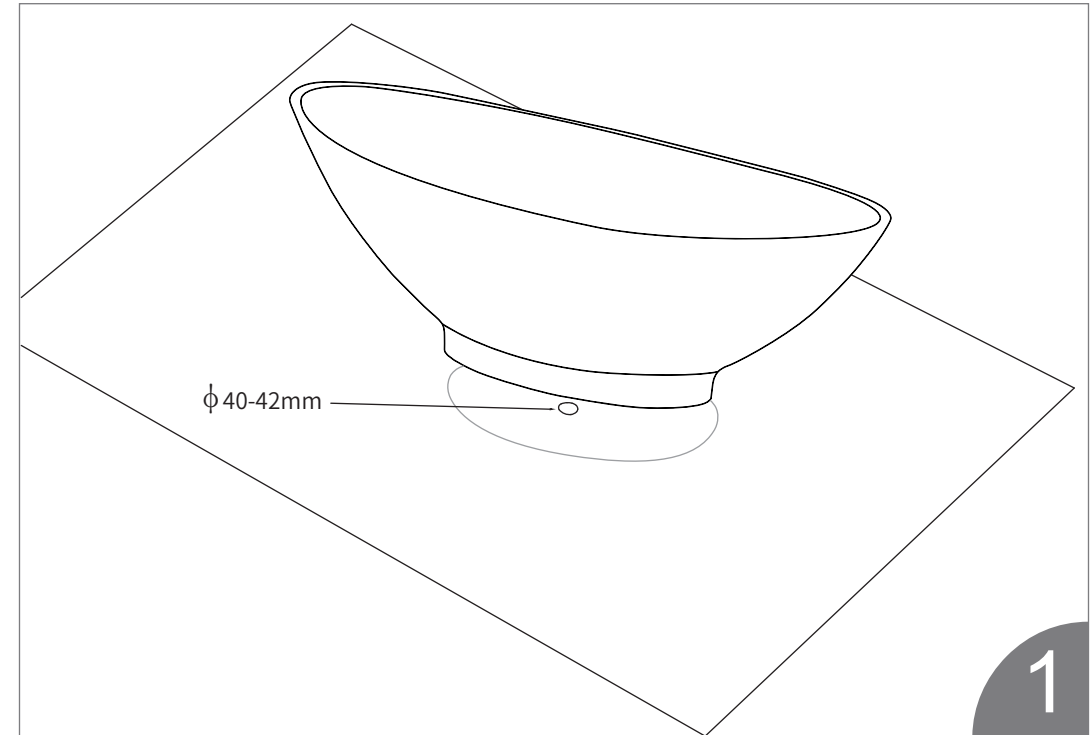
If the bathtub surface is glossy finish, after operation above steps, please smear the surface with oily products on surface (such as: car wax, sewing machine oil, petroleum jelly, hand cream), and then wipe clean with a soft cloth.

Precautions for the use of bathtub

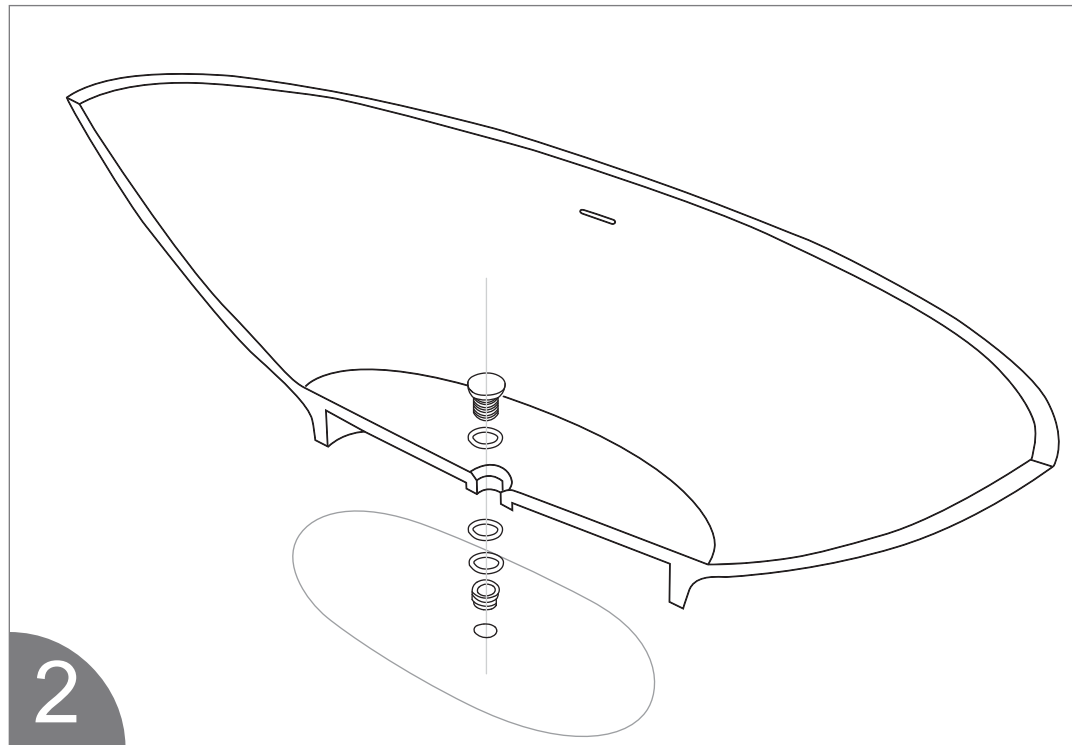
1. Please clean the bathtub frequently and keep it dry when not using, to prevent the retained moisture from causing mineral deposits.
2. Do not leave commonly used cleaning materials (steel balls, sponges or other products) in the bathtub for a long time. Water with high iron content will cause rust stains or staining marks on the bathtub surface.
3. Do not come into direct contact with strong chemicals, and stay away from silver-containing detergents or other cleaning products containing sulfur or hydrochloric acid.
4. Do not use sharp objects (such as steel wire balls) to clean the bathtub to avoid spots and scratches on the surface.
5. In order to better extend the service life of the bathtub, please do not pour boiling water directly into the bathtub. It is recommended to pour hot and cold water at the same time.

Installation Steps

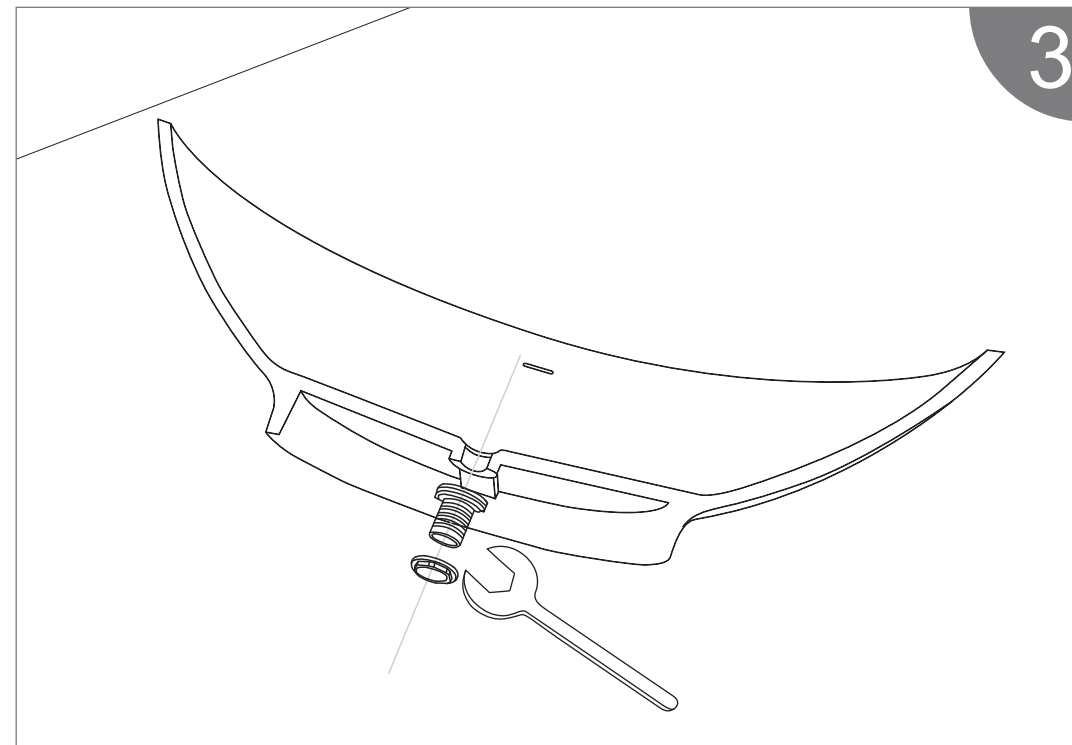
1. Confirm the installation position of the bathtub first, and see if the height between the bottom of the bathtub and the ground can be placed under the drainage device (the height needs to be at least 65mm).



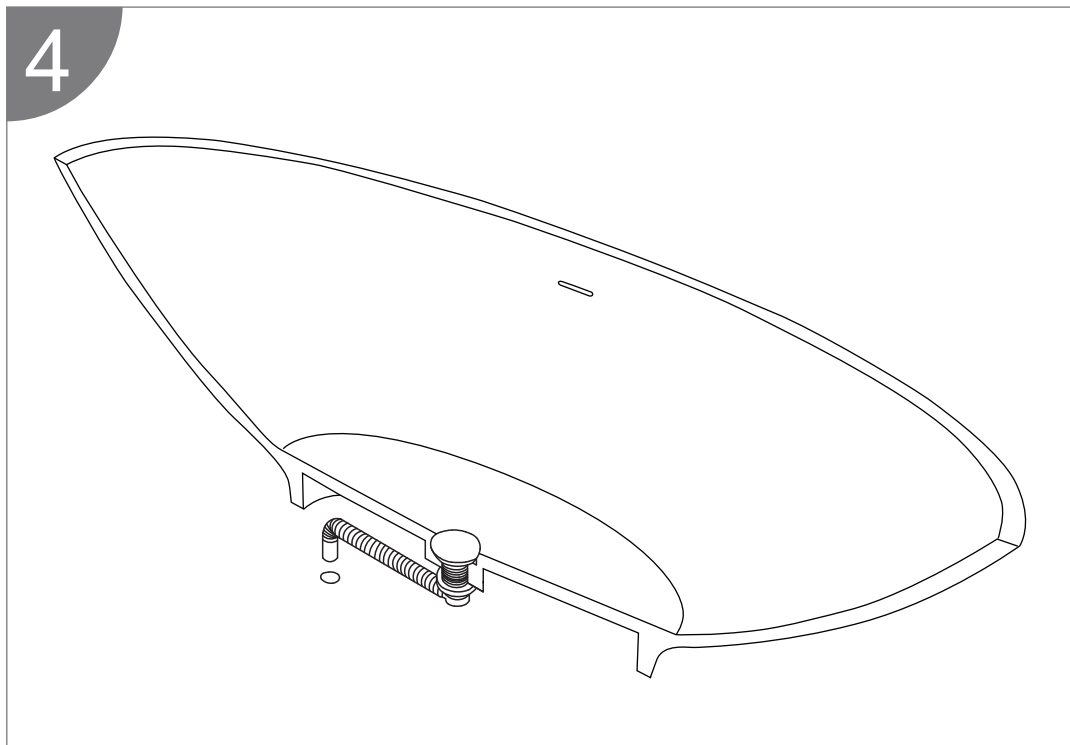
2. If the height is not enough, you can raise the height of the bathtub installation plane, or dig a sink with a depth of about 50mm on the ground to place the drainage device.



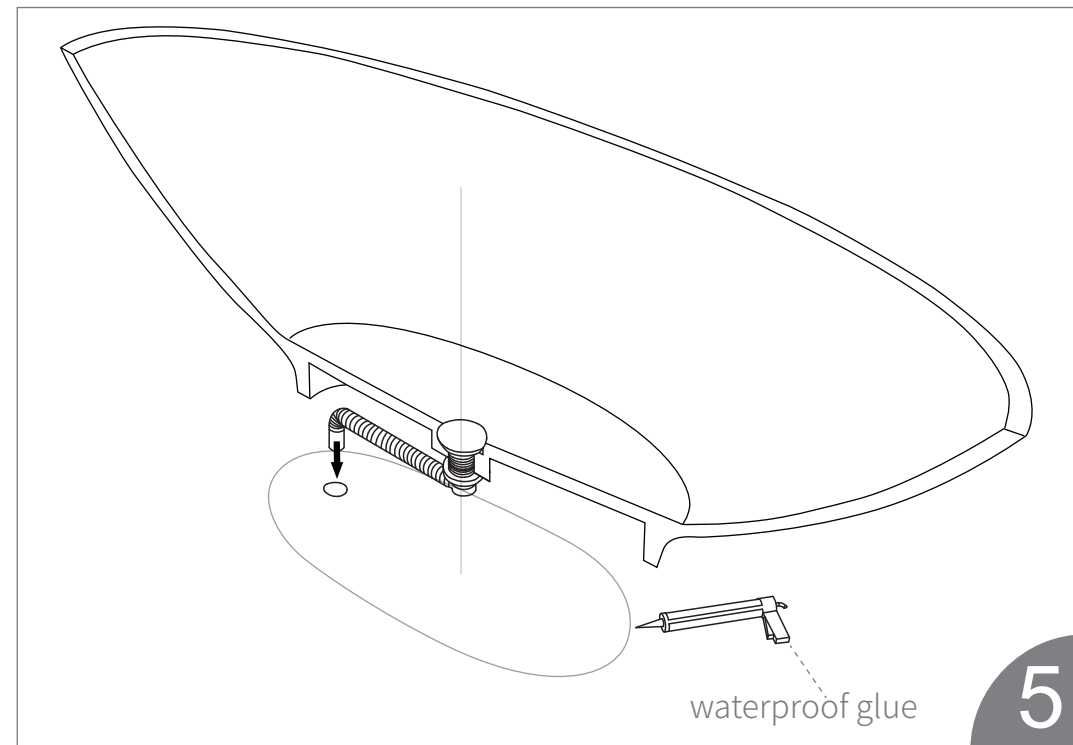
3. After placing the bathtub on its side and fixing it, then install the bathtub drain bounce device.



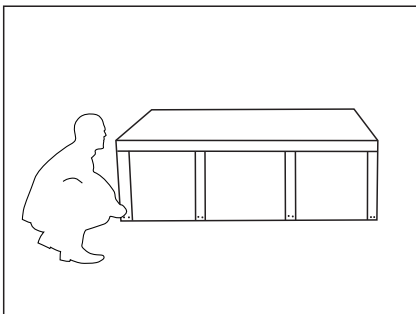
4. When installing the drainage pipe, connect one end to the bottom of the bounce sewer, and insert one end of the drainage pipe into the drainage hole on the ground.



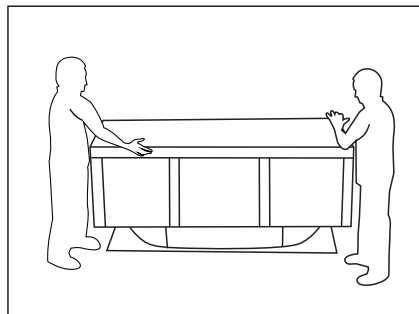
5. If necessary, you can put a circle of waterproof glue or glass glue around the bottom of the bathtub to prevent water on the floor from flowing into the bottom of the bathtub.



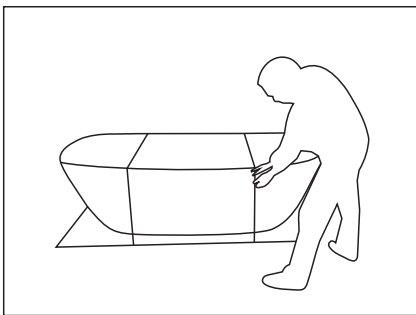
How to unpack and move



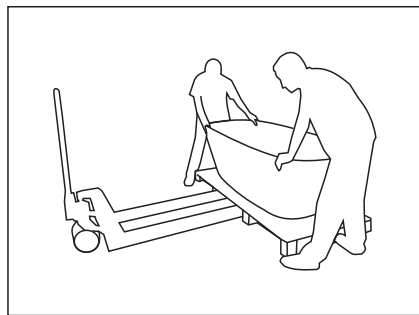
1. Unscrew the self-tapping screw at the wooden box bottom.



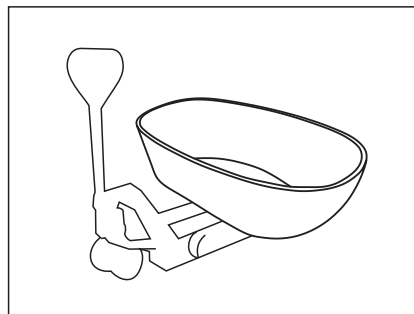
2. Lift the top cover of the wooden box.



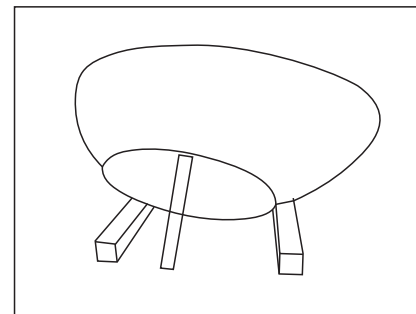
3. Cut off the belt and remove the protective film, be careful not to scratch the product.



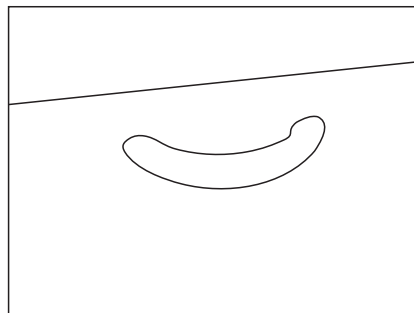
4. Move the wooden pallet to the forklift manually, and carefully remove the bathtub from the wooden pallet.



5. Use a forklift to move the bathtub, and pay attention to the installation surface.



6. Padding a wooden strip at the bottom of the bathtub to prevent scratches, tilt the bathtub smoothly, and install the bathtub drain.



7. If there is a handle on the bathtub, please do not use the handle to lift the bathtub. The bathtub handle is for towels and does not bear weight.